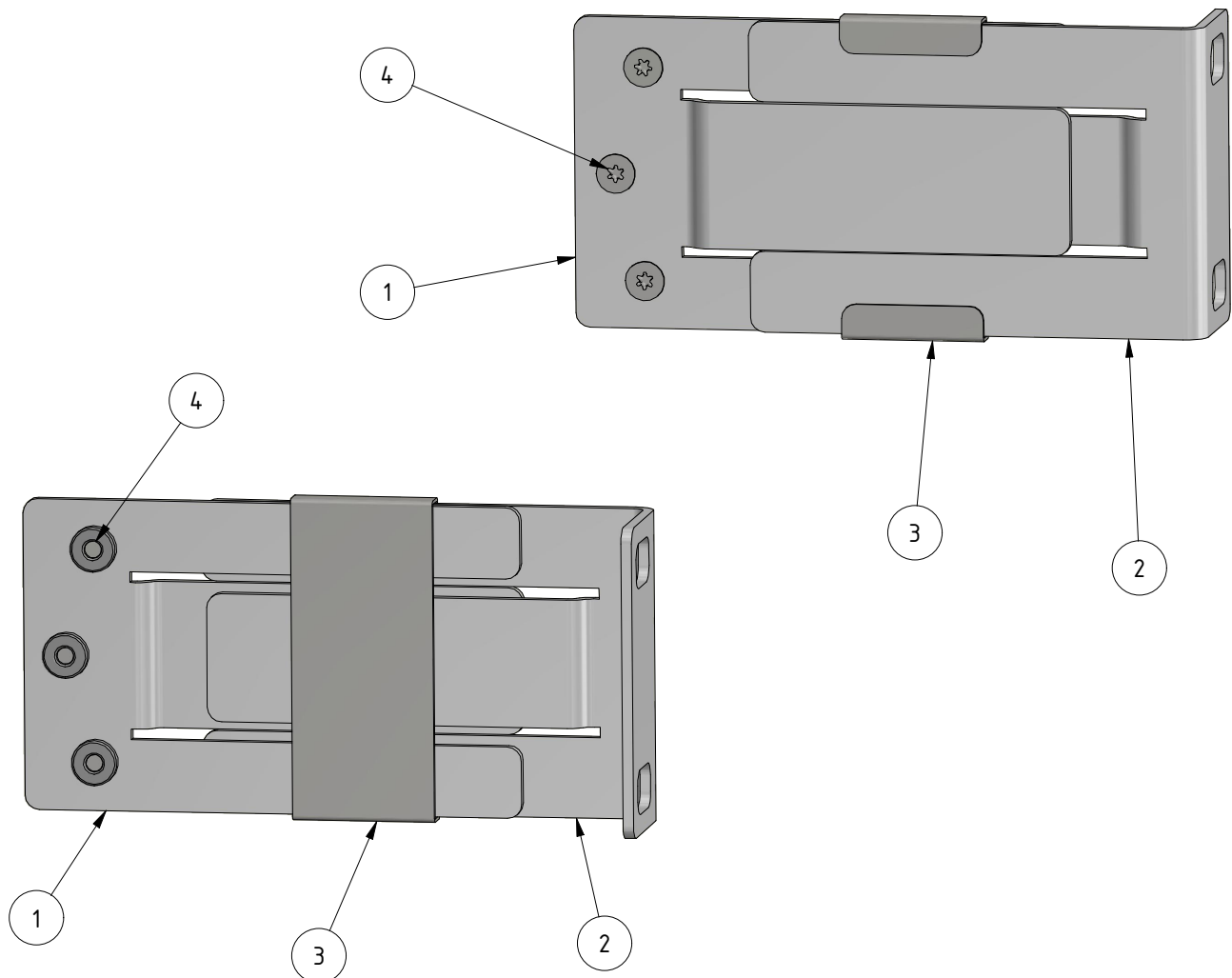


This drawing is our intellectual property. Copying, utilization or handing over to third parties is punishable and will lead to applications for restrictive injunctions. © Lawo AG



TEILELISTE			
OBJEKT	ANZAHL	BESCHREIBUNG	BAUTEILNUMMER
1	2	Rack ear 600 part 1 kpl.	A00/10-57.10.00
2	2	Rack ear 600 part 2	A00/10-57.20.01
3	2	Rack ear clamp	A00/10-57.30.01
4	6	Senkschraube Torx mit Tuflok	ISO 7046-1 - M3 x 4

General Tolerances ISO 2768-mK		Surface:		Scale: 1:1	Weight:	
Date		Name		Material:		
drawn	03.05.2022	N. Prungel		Raw Part-No.:		<h2 style="text-align: center;">Rack mounting rear kit 600mm</h2>
approved	03.05.2022	N. Prungel		Part-No.: A00/10-57.00		
released				Sheet 1 / 1		
Index	Revision	Date	Name	Item-No.:		DIN A4

Lawo AG
 Am Oberwald 8
 D-76437 Rastatt