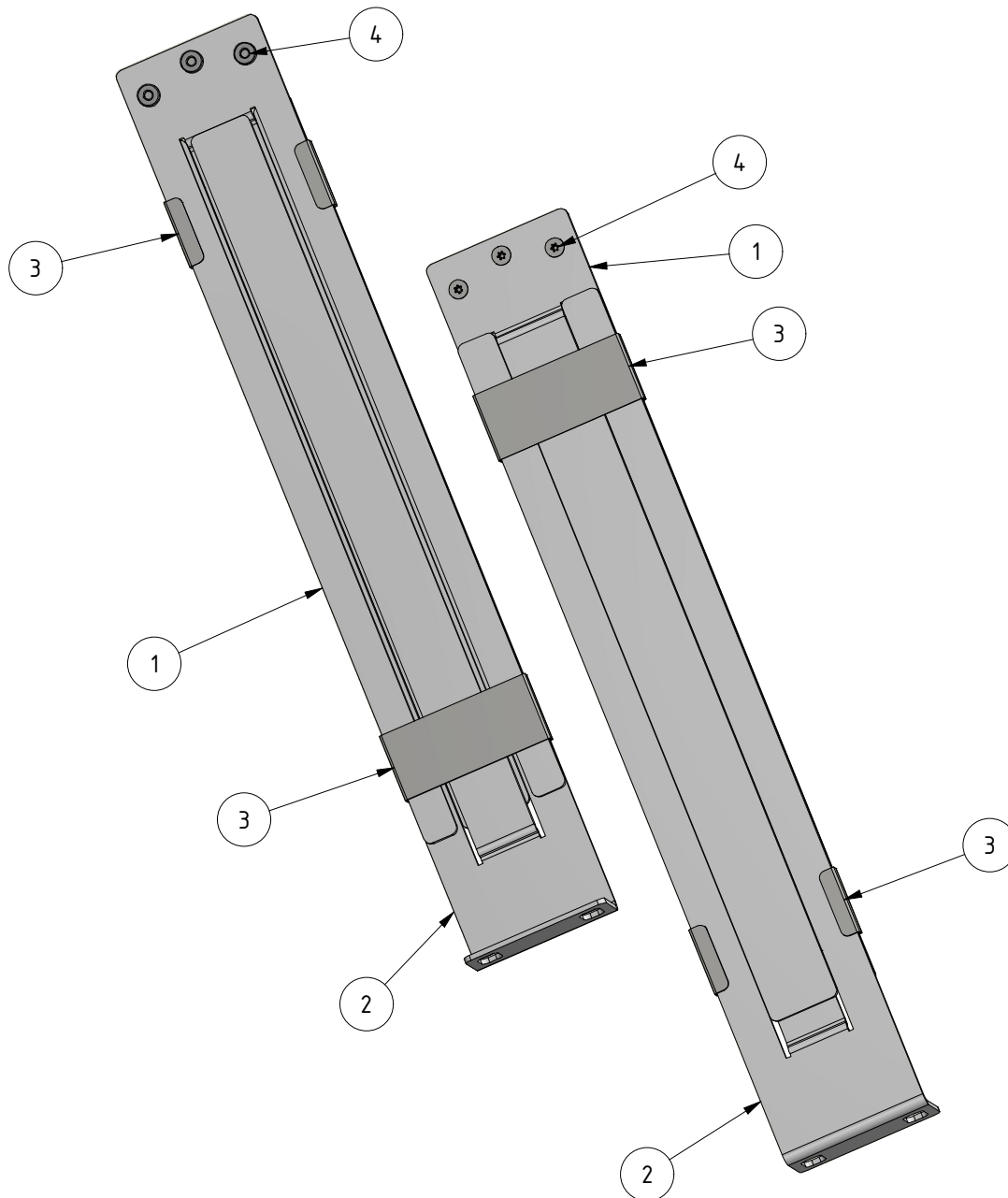


This drawing is our intellectual property.
 Copying, utilization or handing over to
 third parties is punishable and will lead
 to applications for restrictive injunctions.
 © Lawo AG



TEILELISTE			
OBJEKT	ANZAHL	BESCHREIBUNG	BAUTEILNUMMER
1	2	Rack ear 800 to 900 part 1 kpl.	A00/10-58.10.00
2	2	Rack ear 800 to 900 part 2	A00/10-58.20.01
3	4	Rack ear clamp	A00/10-57.30.01
4	6	Senkschraube Torx mit Tuflok	ISO 7046-1 - M3 x 4

General Tolerances ISO 2768-mK		Surface:		Scale: 1:2		Weight:	
				Material:			
				Raw Part-No.:			
	Date	Name		<h2>Rack mounting rear kit 800-900mm</h2>			
drawn	03.05.2022	N. Prungel					
approved	05.05.2022	N. Prungel					
released							
		Lawo AG Am Oberwald 8 D-76437 Rastatt		Part-No.: A00/10-58.00		Sheet 1 / 1	
Index	Revision			Date	Name	Item-No.:	